



ExtremeSTP® Lift Stations

Above Ground Lift Station

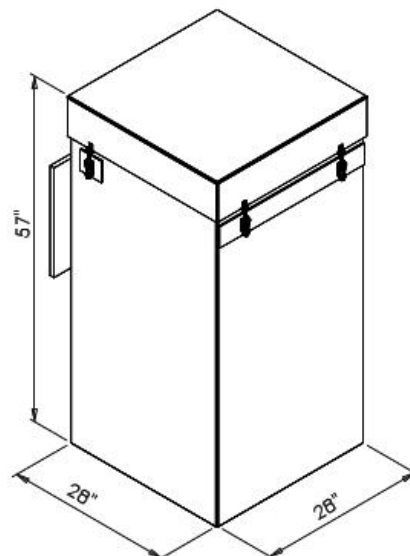
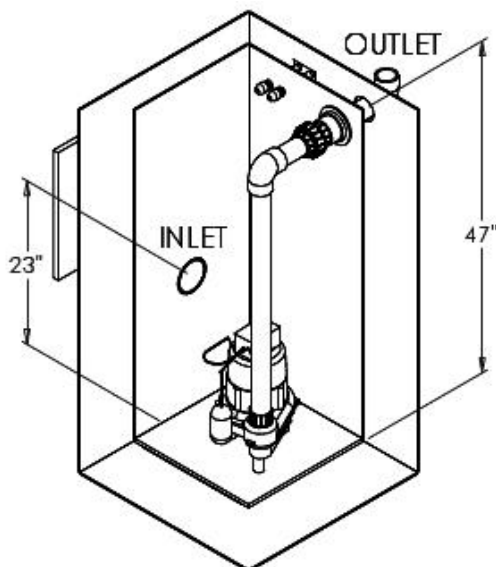


Standard Features:

- Double-walled, insulated, plastic tank bolts to the outside of a house or cabin
- Works at -60°F
- Easy to remove lid provides full access to pump compartment
- Dual heating pad (one operational, one in-place spare)
- Solids handling sewage pump delivers 10 gallons per pump cycle
- High water alarm
- Electrical junction box (120V) mounts to the outside of house or cabin
- 4-inch inlet, 2-inch outlet

Power Usage:

- 70W when heating pad is on (thermostatically controlled to reduce power consumption)
- 300W when pump is running





Below Ground Lift Station



Standard Features:

- Made from double-walled, HDPE culvert, or single-walled HDPE pipe
- Easy to remove, insulated, lockable lid provides full access to lift station
- Large bottom plate allows weight of soil to provide hold-down force
- Available with or without solids-handling submersible pump
- Inlet and outlet can be installed in our shop or at your job site
- Can be custom-made to your specifications

Indoor Lift Stations



Standard Features:

- Saniflo lift stations can be used to install a complete bathroom, kitchen, and clothes washer up to 18 feet below a sewer line or sewage treatment plant
- Toilet uses only 1.6 USG (6 litres) of water per flush.
- Sanibest model incorporates a macerating system that is ideal for homes, rental units, offices, warehouses, etc.
- Macerating system consists of a pressure chamber (to start and stop the unit) and motor (to drive the stainless steel macerator blades and pump)
- Allows you to install a complete bathroom where it would otherwise be impossible
- Allows all pipes to be located indoors where they will not freeze and can easily be serviced
- Sold by Lifewater for use with our sewage treatment plants